



Known for Reliability

Since 1921

The Biro 3334SS-4003FH Fixed Head Meat and Fish Saw has what you need for high volume production of retail cuts. The rigid fixed stainless steel head provides vibration free operation at higher blade speeds. This lets you use a narrow blade which helps you minimize product waste, operator fatigue, and maximize productivity and profit. Like all Biro saws, the 3334SS-4003FH has heavy duty stainless steel construction and a roller bearing drive system, a design that has proven over the years to be more durable with lower maintenance. Your saw will have longer bearing life at the higher blade speeds, and it will easily withstand the heavy use typical of meat and fish plants. We also offer such attractive options as a split platter for quick blade changes, double flange wheels, a removable lower wheel, and stainless steel wheels.



Model: 3334SS-4003FH
(Fixed Head Structure)
Standard Configuration

3334SS-4003FH



SPECIFICATIONS

MODEL: 3334SS-4003FH Fixed Head Power Saw

CONSTRUCTION: Heavy duty stainless steel base, legs, fixed head and door structures.

MOTORS:

HP	KW	TYPE	VOLTS	AMPS	HERTZ	PH	STATUS
3	2.2	TEFC	208-230	18-16.8	60	1	STD
3	2.2	TE	220/440	7.8/3.9	50/60	3	STD
3	2.2	TEFC	220	12.5	50	1	EC
5	3.7	TE	208-230/460	13.6-12.3/6.2	60	3	EC
5	3.7	TE	190/380	15.2/7.6	50	3	EC
5	3.7	TEFC	208-230/460	14.4-13/6.49	60	3	EC
5	3.7	TEFC	575	5.44	60	3	EC

TE = Totally Enclosed TEFC = Totally Enclosed Fan Cooled
 STD = Standard EC = Extra Cost

STANDARD ITEMS: Two saw blades • operation and safety manual • safety wall poster • end cut safety pusher plate • warranty registration card.

SWITCH: Watertight magnetic with thermal overload and under voltage protection.

HEAD AND DOOR: Stainless steel.

BASE STRUCTURE: Stainless steel.

BLADE STANDARD: Hard tooth .022 inch (.5 mm) thick, three teeth per inch (8.5 mm between teeth), 5/8 inch (16 mm) wide, 124 inches (3150 mm) long (two supplied with each saw).

BLADE GUIDE: Upper and lower blade backup guides with long life carbide back-up inserts, removable as an assembly.

BLADE TENSION: Factory preset tension spring with screw handle assembly.

BLADE WHEELS: 16" (40.6 cm) cast iron, chrome nickel plating, upper wheel assembly lifts out.

BEARINGS: Heavy duty tapered roller bearings used in upper wheel and lower bearing housings.

CATCH PAN: Poly, extra deep, rounded corners, pan sealed off from other parts of base, accessible through base hinged door.

CLEANING UNIT: Stainless steel body, long life carbide guide, stainless steel saw cleaners, adjustable as a unit, cleaning assembly removable for easy cleaning.

DRIVE SYSTEM: Double v-belt and pulleys with tapered roller bearings on drive shaft.

LEGS: Stainless steel legs with hex bolt levelers.

MEAT CARRIAGE: Stainless steel 8 bearing E-Z flow.

MEAT GAUGE PLATE: Stainless steel faced, adjustable from 1/16" (1.59 mm) to 6 1/2" (165 mm) locks in position, can be disengaged, entire assembly removable for cleaning.

MOTOR COMPARTMENT: Sealed off from meat contact areas, easily accessible through removable panel door.

PLATTER: All stainless steel, held in place with slide latches.

SAFETY END CUT PUSHER PLATE: Standard, removable, storage bracket provided.

OPTIONS (EC): Power cord and plug • front stationary table extension • stationary front table in place of moving carriage • split rear platter • double flange cast iron saw blade wheels • double flange cast iron saw blade wheels with removable lower wheel • single flange stainless steel saw blade wheels • double saw guide bar.

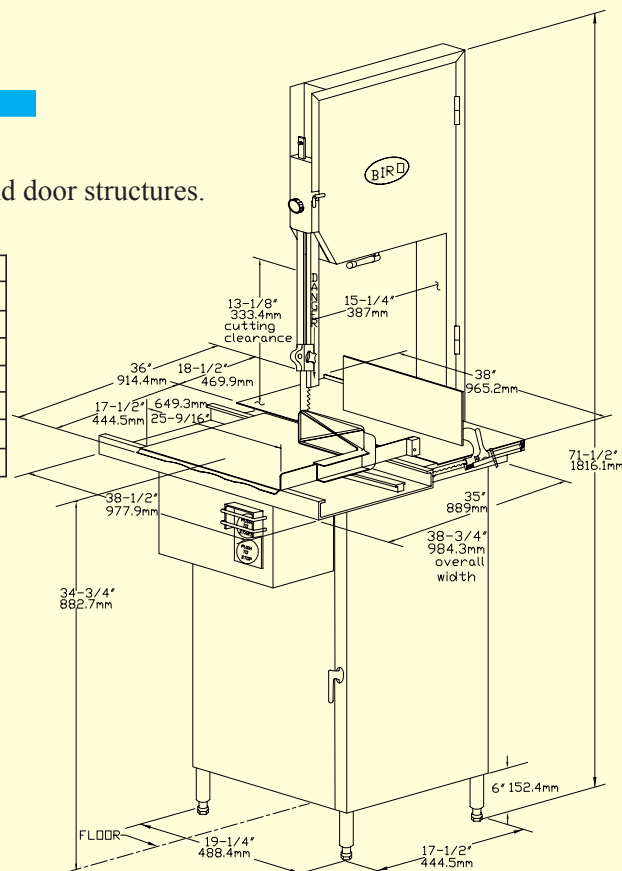
OPTIONS (NC): 5000 feet (1524 m) per minute blade speed.

CERTIFICATION: U.S.D.A., U.L., N.S.F., C.S.A., C.F.I.A.

WEIGHT: Uncrated: 522 lbs. (237 kg.) approximate.

Crated: 615 lbs (279 kg.) approximate.

DIMS. CRATED: L = 50" (127 cm),
 W = 38" (96.5 cm),
 H = 79" (200.6 cm).



BIRO MANUFACTURING COMPANY
 1114 WEST MAIN STREET
 MARBLEHEAD, OH 43440-2099 U.S.A.
 Phone: (419) 798-4451
 Fax: (419) 798-9106
 www.birosaw.com
 sales@birosaw.com

ITEM NO.: LIT-3334SS-4003FH-301
 FORM NO.: Md 3334SS-4003FH-301-12-19-7

All specifications contained herein are subject to change without notification.

Service is available from locations worldwide