

# R2 Series

## Drum Scale

The CAS R2 Series Drum Scale is a portable, low profile platform scale with integral ramps, live side rails, wheels, and handles to insure versatility and portability.



**CAS**

[www.cas-usa.com](http://www.cas-usa.com)

# R2 SERIES | Drum Scale

## PLATFORM SPECIFICATIONS

Model	R2-500	R2-1000
Capacity	500 x 0.2 lbs	1,000 x 0.5 lbs
Platform Size (inch/mm)	31.5 x 31.5 x 1.8 / 800 x 800 x 46	
Cable Length	10 ft - J-Box to Indicator	
Overall Dimensions	Inch: 41.3 (W) x 41.3 (D)	
	mm: 1050 (W) x 1050 (D) x 68 (H)	
Operating Temp	-10°C ~ 40°C / -14°F ~ 104°F	
Product Weight	105.8 lbs / 48 kg	

## FEATURES

- Low profile for easy access
- Reinforced mild steel construction
- Anti-Skid diamond plate deck
- Integral ramps and live side rails
- Built-in casters for easy transport
- Handles for portability
- Top access junction box
- Adjustable load cell feet
- Four environmentally protected planar beam load cells
- Patented load cell design and overload checking
- 150% load cell overload rating
- High quality paint finish

## OPTIONS

- CI-100A Series Indicator with Quick Connect Cable
- Factory Calibration/Configuration



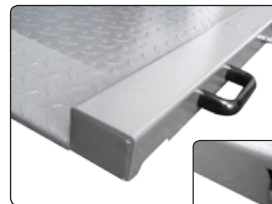
▲ CI-100A  
with Quick Connect Cable

## OPTIONAL INDICATORS



Use with any general industrial indicator capable of powering up to four (4) 350 ohm load cells or order with CAS optional Quick Connect hardware to simply interface to CAS CI-2001 Series, CI-200 Series, or CI-100A Indicators.

## PORTABILITY

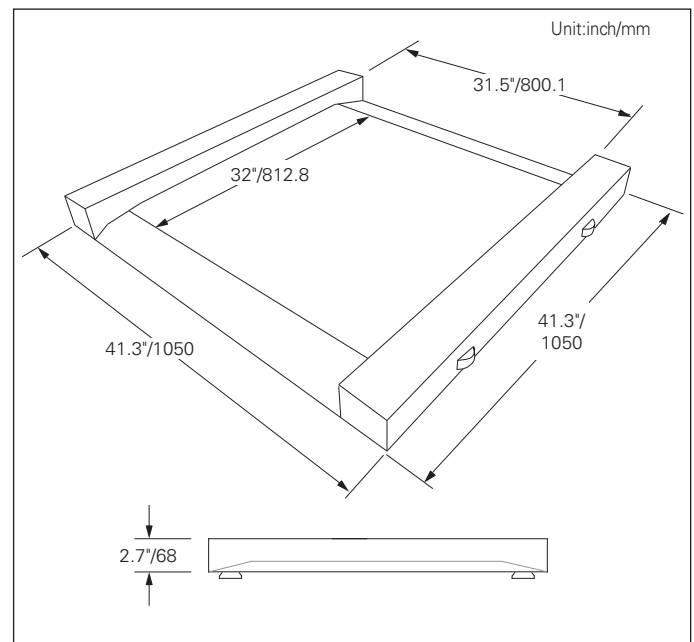


The light weight R2 Series Drum Scale has two heavy duty handles and two casters built into the frame.



Need to move your scale? No problem. Pick it up and roll it. It's that easy!

## DIMENSIONS



# CAS

**CAS USA Corporation**  
Corporate Office

99 Murray Hill Parkway  
East Rutherford, NJ 07073  
Tel: (201) 933-9002  
Fax: (201) 933-9025  
<http://www.cas-usa.com>

